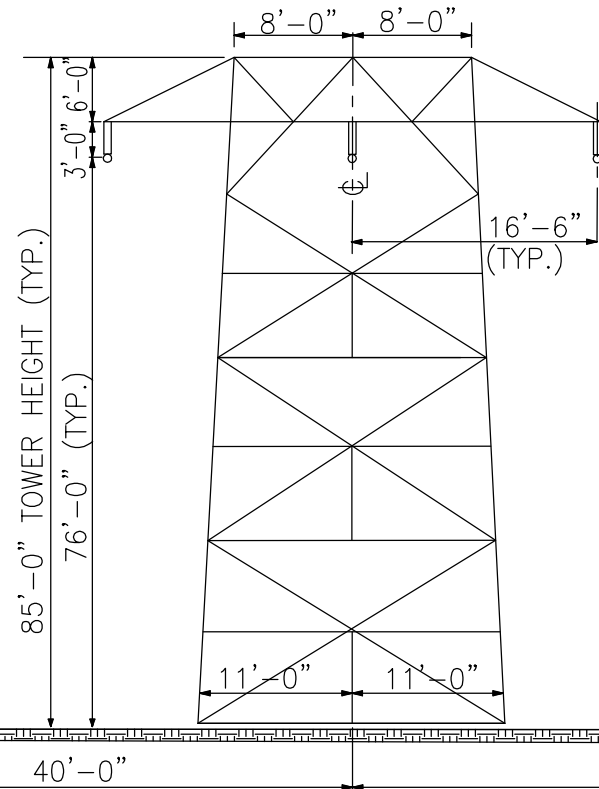
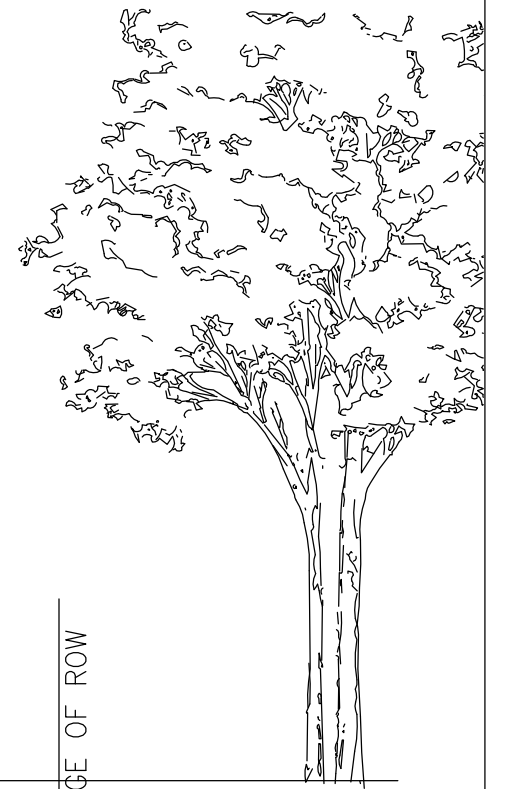
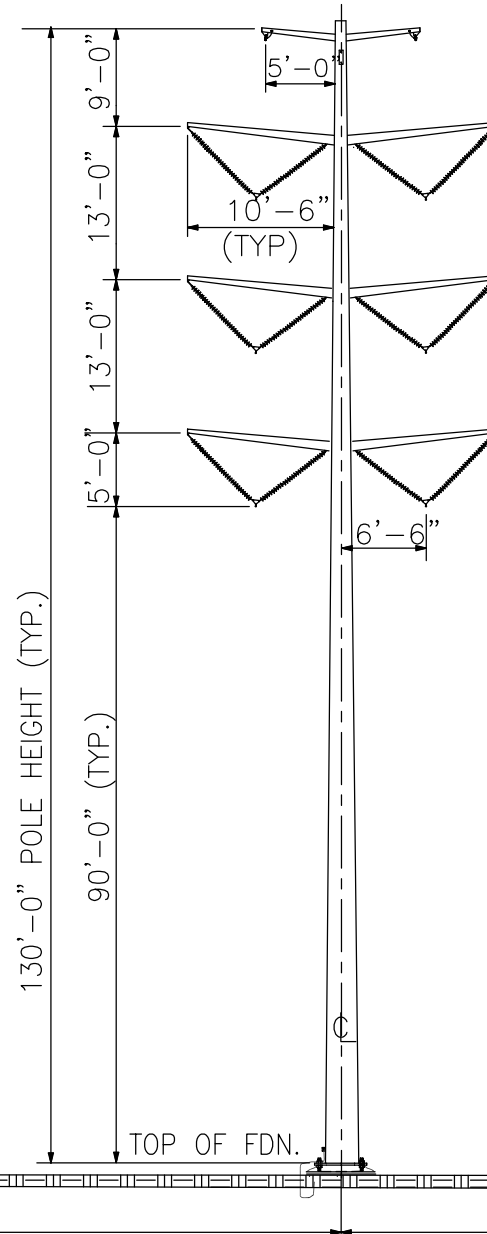


EDGE OF ROW



70'-0"



EDGE OF ROW

EXHIBIT 3



EXISTING
TYPICAL CROSS SECTION
69kV & 138kV LINE

DUQUESNE LIGHT COMPANY
ALLEGHENY COUNTY, PA